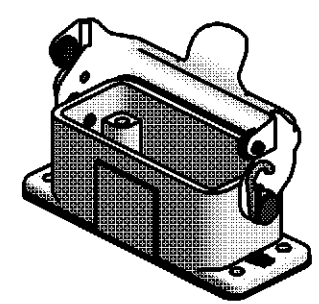
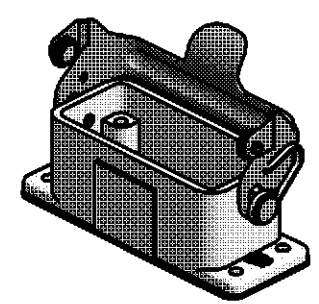
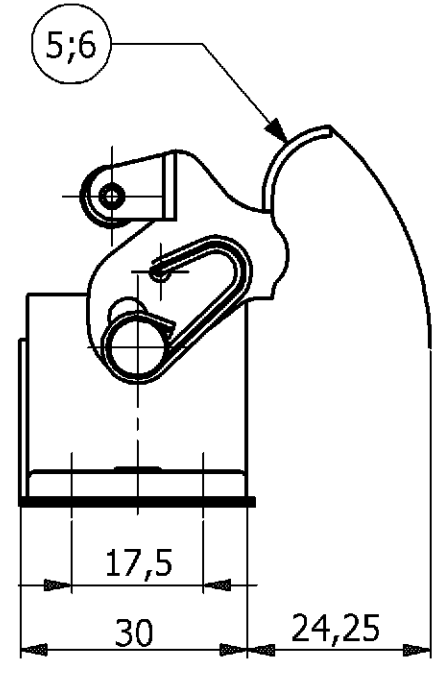
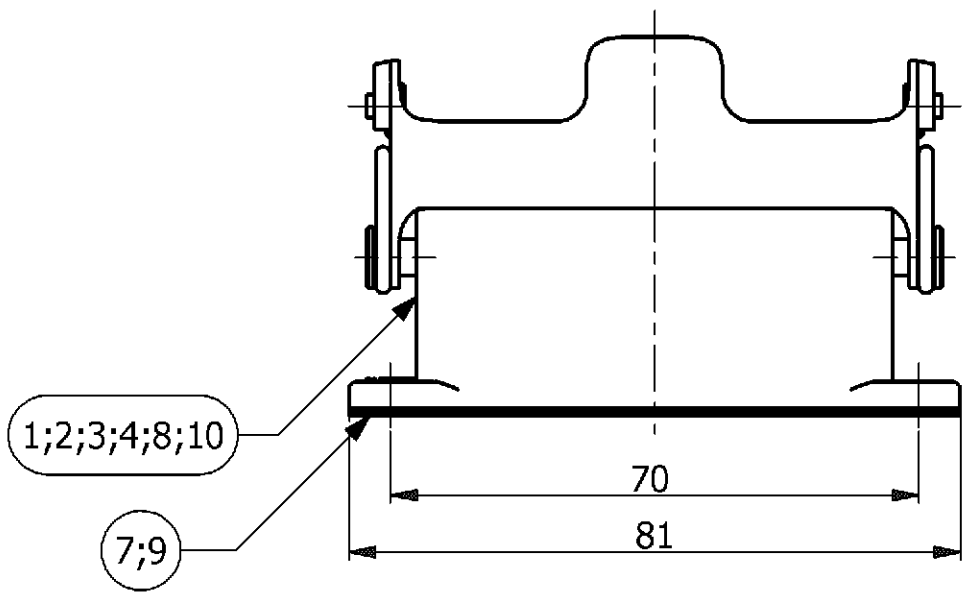


NOTES

- 1 MATERIAL:
HOUSING: ALUMINIUM DIE CAST ALLOY
SEAL: NEOPRENE
- 2 SURFACE:
- POWDER VARNISH: GREY
- ALUMINIUM OXIDE & VARNISH: BLACK
- 3 VARNISH ON THE INSIDE NOT NECESSARY
- 4 ChromiAL TCP - PASSIVATION

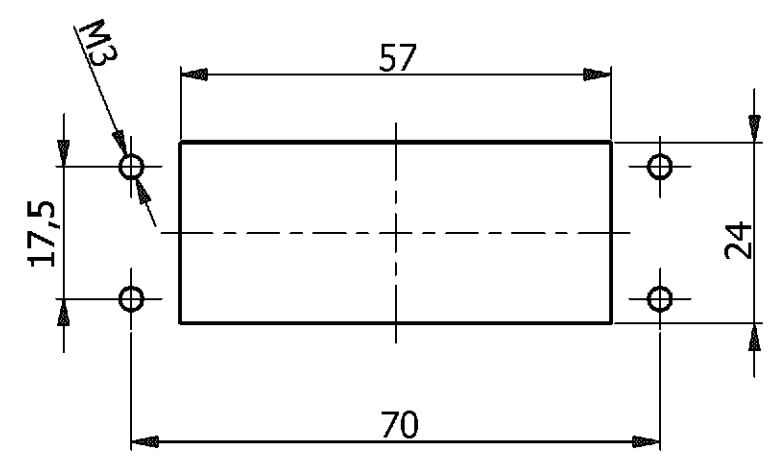


PN: 1-2 as shown

PN:0-1,0-5 and 2-2

PN:0-2,0-3,0-4 & 1-2

Panel Cut-out



| 1 | - | - | - | - | - | - | Surface Mounted Housing, Bottom Entry | Aluminium | HC | Black | 10 | φ3.7 mm | | | | | |
|-----|------|-----|-----|-----|-----|-----|---------------------------------------|-----------------|-----------------|-----------------|----------|---------|--|--|--|--|--|
| - | 1 | - | - | - | - | - | Flange Mounted Seal | Neoprene | Conductive | Black | 9 | | | | | | |
| - | 1 | - | - | - | - | - | Surface Mounted Housing, Bottom Entry | Aluminium | 4 | Black | 8 | | | | | | |
| 1 | - | 1 | 1 | 1 | 1 | 1 | Flange Mounted Seal | Neoprene | - | Black | 7 | | | | | | |
| 1 | - | - | 1 | - | 1 | - | LB- Side Clip | Stainless Steel | - | - | 6 | | | | | | |
| - | 1 | 1 | - | 1 | - | 1 | LB- Side Clip | Steel | Zinc Plated | - | 5 | | | | | | |
| - | - | - | 1 | - | - | - | Surface Mounted Housing, Bottom Entry | Aluminium | HC | AL Color | 4 | | | | | | |
| - | - | - | - | 1 | - | - | Surface Mounted Housing, Bottom Entry | Aluminium | - | Without Varnish | 3 | | | | | | |
| - | - | - | - | - | 1 | - | Surface Mounted Housing, Bottom Entry | Aluminium | Aluminium Oxide | Black | 2 | | | | | | |
| - | - | 1 | - | - | - | 1 | Surface Mounted Housing, Bottom Entry | Aluminium | - | Grey | 1 | | | | | | |
| 0-5 | -0-4 | 0-3 | 0-1 | 0-2 | 2-2 | 1-2 | DESCRIPTION | MATERIAL | SURFACE | COLOR | ITEM NO. | REMARKS | | | | | |

ORDERING TEXT

| |
|------------------|
| HA.10.AG-LB |
| HA-K.10.AG-LB |
| HA.10.AG-LB-SO |
| HA-K.10.AG-LB-SO |
| HA.10.AG-LB-KM |
| HA-EMV.10.AG-LB |
| HA-K.10.AG-LB |

| | | | | | | | | | | | | | | | |
|--|---|---|--|--|--|-------|---|-------|---|-----------------|---|---|-------------|--|--|
| THIS DRAWING IS A CONTROLLED DOCUMENT FOR AMP INCORPORATED. IT IS SUBJECT TO CHANGE AND THE CONTROLLING ENGINEERING ORGANIZATION SHOULD BE CONTACTED FOR THE LATEST REVISION. DIESSES ZEICHNUNGSDOKUMENT WIRD DURCH AMP INCORPORATED KONTROLLIERT. ÄNDERUNGEN, DIE DEM TECHNISCHEN FORTSCHRITT DIENEN, SIND VORBEHALTEN. DEN JEWELIS LETZTIGELTIGEN ÄNDERUNGSSTAND ERFAHREN SIE AUF ANFRAGE. | | DWN SCHNEIDER 4/8/1999 | | Tyco / Electronics AMP GmbH D - 53819 Neunkirchen | | | | | | | | | | | |
| TOLERANCES UNLESS OTHERWISE SPECIFIED: ALLGEMEINTOLERANZEN | | CHK SCHWEIGER 4/8/1999 | | | | | | | | | | | | | |
| DIMENSIONS: DIMENSIONEN: mm | | APVD T.SCHNURPFEIL 4/8/1999 | NAME SURFACE MOUNTED HOUSING, BOTTOM ENTRY | | | | | | | | | | | | |
| <table border="1" style="width:100%; font-size: 6px;"> <tr><td>n. ISO 8015 -</td><td>#</td></tr> <tr><td>1 PLC</td><td>#</td></tr> <tr><td>2 PLC</td><td>#</td></tr> <tr><td>3 PLC</td><td>#</td></tr> <tr><td>ANGLES / WINKEL</td><td>#</td></tr> </table> | | n. ISO 8015 - | # | 1 PLC | # | 2 PLC | # | 3 PLC | # | ANGLES / WINKEL | # | PRODUCT SPEC. PRODUKTSPEZ. 108-74009 | HA.10.AG-LB | | |
| n. ISO 8015 - | # | | | | | | | | | | | | | | |
| 1 PLC | # | | | | | | | | | | | | | | |
| 2 PLC | # | | | | | | | | | | | | | | |
| 3 PLC | # | | | | | | | | | | | | | | |
| ANGLES / WINKEL | # | | | | | | | | | | | | | | |
| MATERIAL | | APPLICATION SPEC. VERARBEITUNGSSPEZ. 114-74004 | SIZE A3 | CAGE CODE 00779 | DRAWING NO ZEICHNUNGS-NR. 1102121 | | | | | | | | | | |
| FINISH / OBERFLAECHEN / FARBE | | WEIGHT GEWICHT - | RESTRICTED TO NUR FUER | | | | | | | | | | | | |
| | | CUSTOMER DRAWING / KUNDENZEICHNUNG | | | | | | | | | | | | | |
| | | SCALE MASSSTAB 1:1 | SHEET BLATT 1 | OF VON 1 | REV. A5 | | | | | | | | | | |